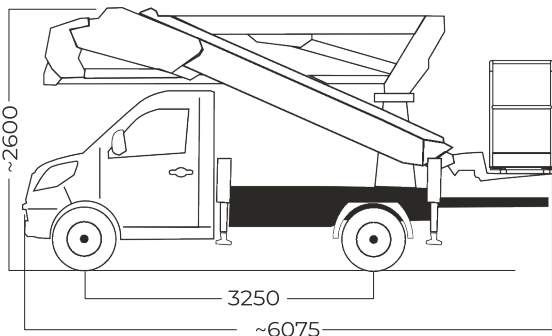
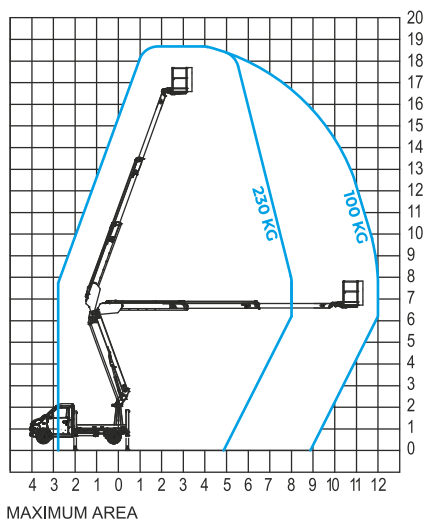
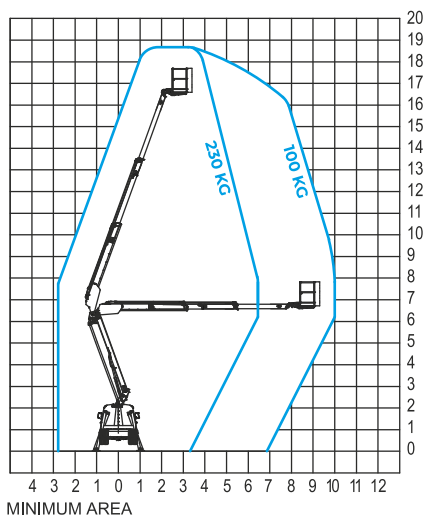












## WORKING DIAGRAM



## INFO

-  **OUTRIGGERS**  
A+A
-  **WORKING HEIGHT**  
18,70 m
-  **BASKET HEIGHT**  
16,70 m
-  **MAX OUTREACH**  
12,00 m
-  **BASKET LOAD CAPACITY**  
230 kg
-  **BASKET SIZE**  
1200x700x1100 mm
-  **BASKET ROTATION**  
90° + 90°
-  **CONTROLS**  
Electric
-  **TURRET ROTATION**  
700°
-  **GVW**  
2,8 ton

## STANDARD ACCESSORIES

The **AUTOMATIC** function is a new solution present in Aerial Working Platforms on Chassis. It brings great advantages including increasing safety and facilitating the correct use of the necessary stabilization maneuver to start working. With a single button, even from the basket, it allows to obtain stabilization in a safe, simple and fast way, quickly overcoming the irregularities of the ground.

## DATA SHEET

- Cables and hoses installed inside the boom
- **AUTOMATIC closing**
- **AUTOMATIC stabilization from the basket and from the ground**
- Proportional electro-hydraulic controls with regulation of the speed of all movements
- Electronic safe system CAN BUS
- 4 outrigger plates
- Socket 230V and 12V in the basket
- Possibility of simultaneous movements
- Automatic regulation of engine revolutions
- Cataphoresis treatment with powder coating
- Aerial part centering light on the basket
- **Basket front support**

## SAFETY DATA

- **Security System**
- Unintentional maneuver protection bar
- Controls protection of the basket
- Circuit breaker with differential protection on the 230V line
- Safety bypass for operator rescue
- Moment limiting device with double security
- Self levelling system for the basket
- Inclinometer
- Flanged block valves
- Emergency button
- Emergency manual hand pump
- Possibility emergency remote rescue
- Automatic PTO deactivation
- Smart anti crash cab protection
- Digital hour-counter
- Cab light closed outriggers
- Maintenance light (Service)

